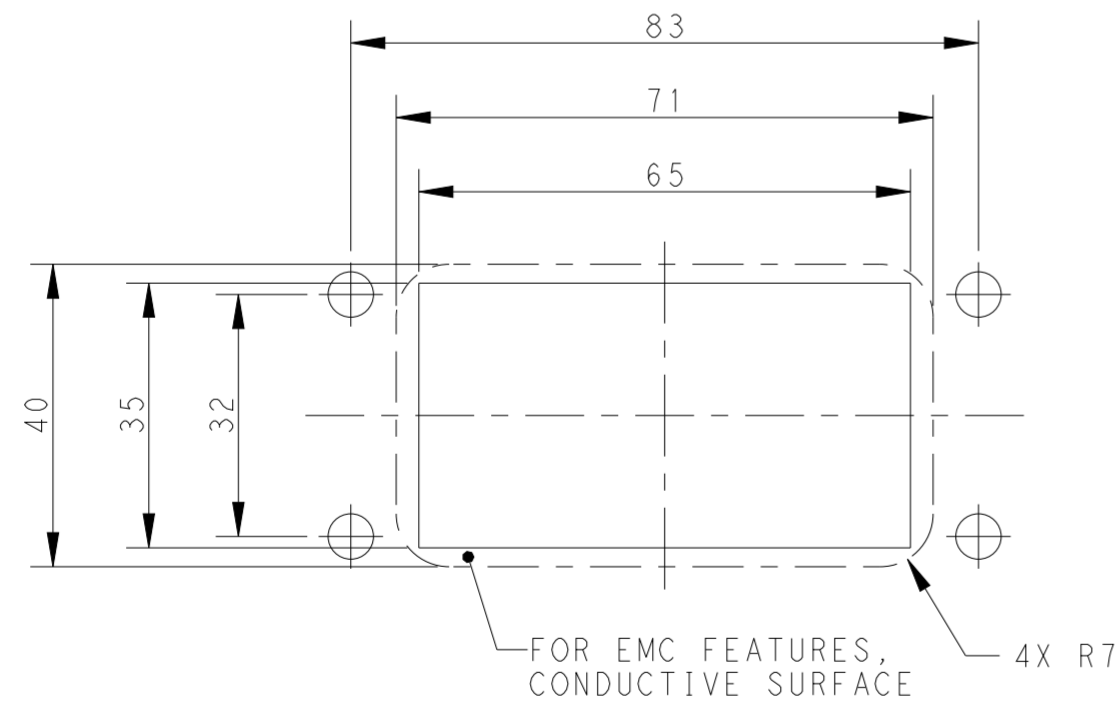
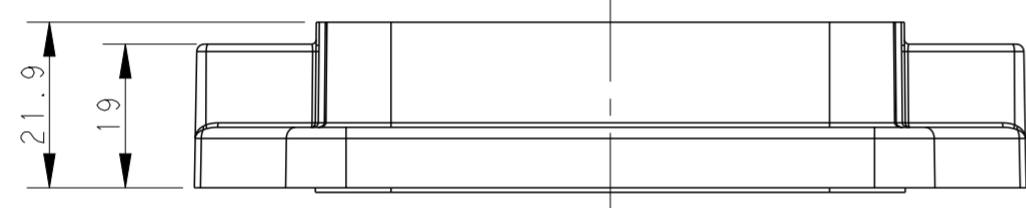
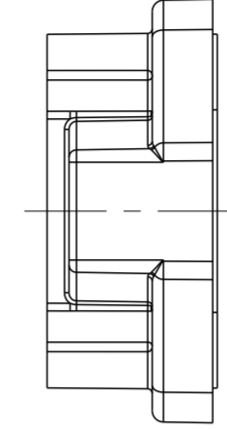
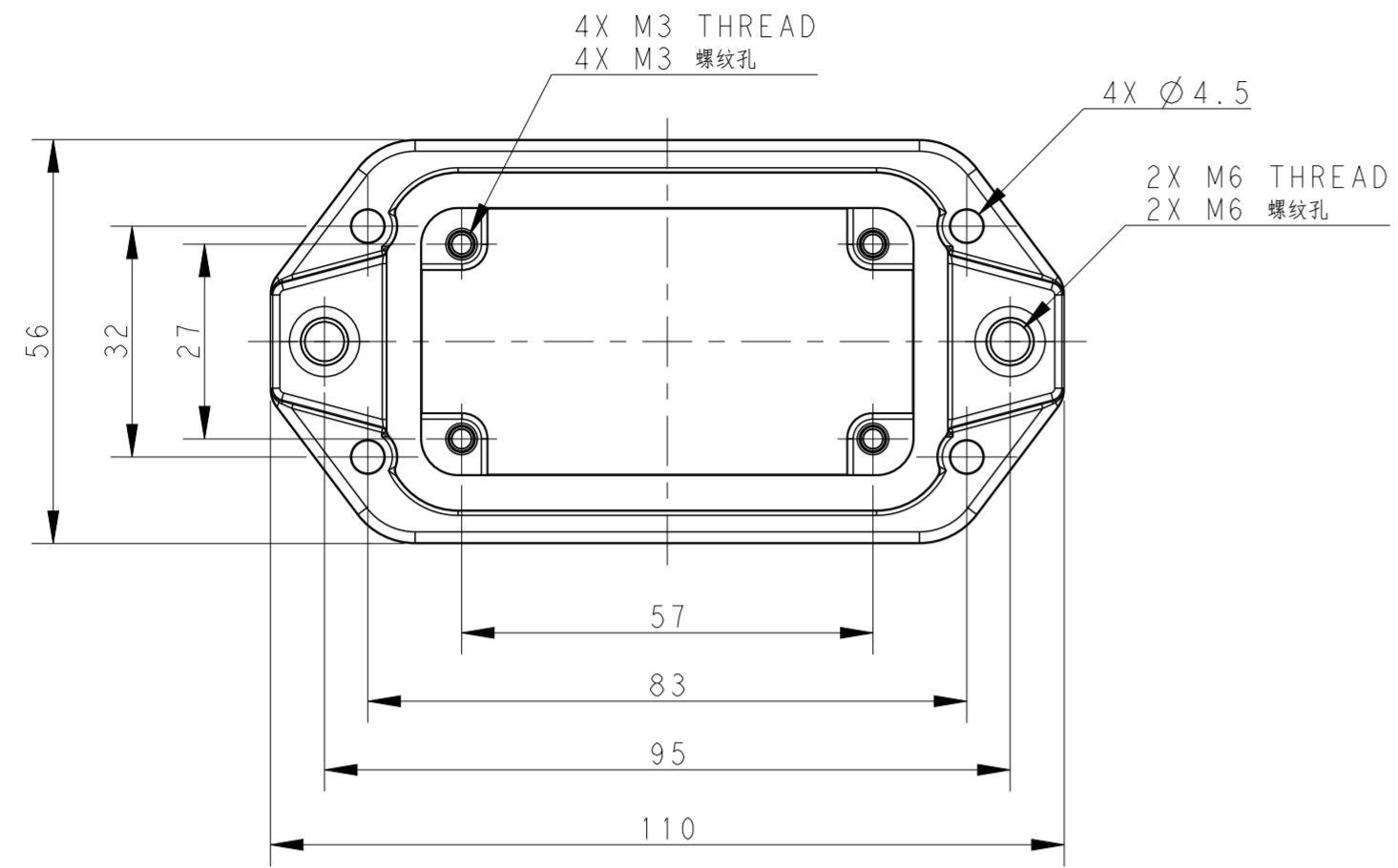
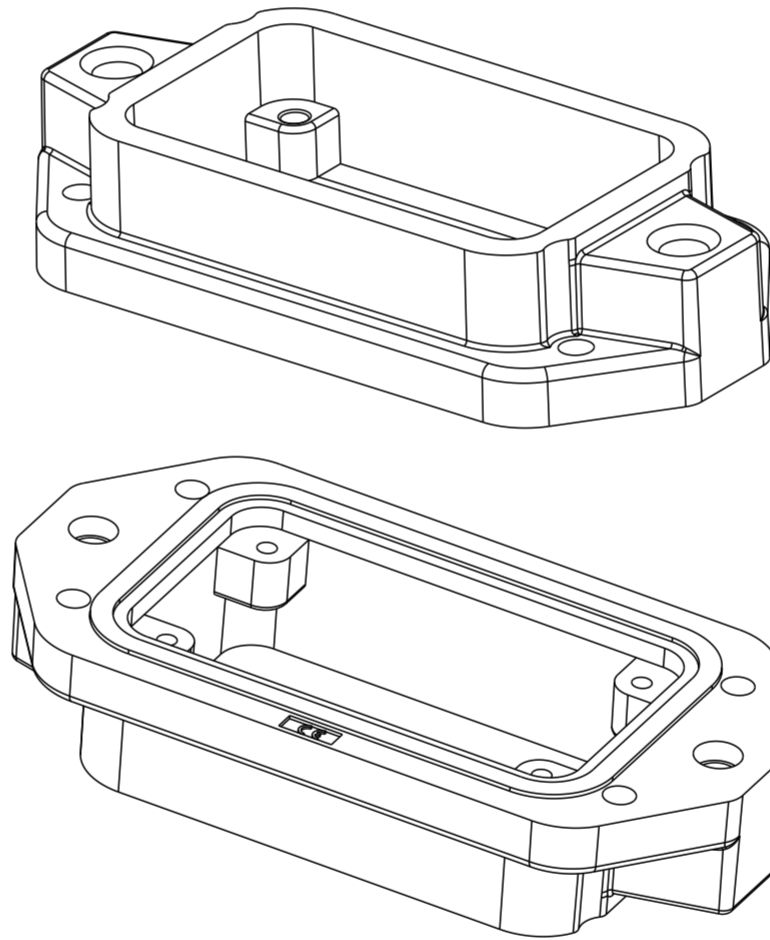


THIS DRAWING IS UNPUBLISHED. RELEASED FOR PUBLICATION 20
 © COPYRIGHT 20 BY - ALL RIGHTS RESERVED.

REVISIONS					
P	LTR	DESCRIPTION	DATE	DWN	APVD
A		INITIAL RELEASE	14OCT2016	DW	CW
B		ECR-20-016312	04JUN2021	BS	CW
B1		ECR-22-138033	09MAY2022	AC	CW



Panel Cut Out Dimension, Only for Reference
 面板开口尺寸, 仅供参考



NOTES:
 1. TECHNICAL CHARACTERISTICS:
 HOUSING MATERIAL: DIE CAST ALUMINIUM ALLOY
 SURFACE: SEE TABLE
 DEGREE OF PROTECTION: IP68 (MATED)

注释
 1. 技术参数:
 壳体材料: 铝合金
 表面处理: 见表格
 防护等级: IP68 (配合)

T1932102000-009	H10BPR-AGC-EMC-C	H10BPR HOUSING, CENTER LOCKING, BULKHEAD MOUNTED, POWDER COATED, GREY H10BPR中部锁定开孔下壳 灰色
T1932101000-009	H10BPR-AGC-EMC-C	H10BPR HOUSING, CENTER LOCKING, BULKHEAD MOUNTED, POWDER COATED, SILVER WHITE H10BPR中部锁定开孔下壳 银白色
T1932100000-009	H10BPR-AGC-EMC-C	H10BPR HOUSING, CENTER LOCKING, BULKHEAD MOUNTED, POWDER COATED, BLACK H10BPR中部锁定开孔下壳 黑色
PART NUMBER 料号	DESCRIPTION 描述	

THIS DRAWING IS A CONTROLLED DOCUMENT.		DWN 14OCT2016 DAVID WANG	TE Connectivity	
DIMENSIONS: mm		CHK 14OCT2016 CHRIS WANG		
TOLERANCES UNLESS OTHERWISE SPECIFIED:		APVD 14OCT2016 XIANG XU	NAME H10BPR-AGC-EMC-C	
0 PLC ±		PRODUCT SPEC	SIZE	
1 PLC ±		108-137191	CAGE CODE	
2 PLC ±		APPLICATION SPEC	DRAWING NO	
3 PLC ±		114-137191	RESTRICTED TO	
4 PLC ±		WEIGHT	SCALE	
ANGLES ±		-	1:1	
FINISH		CUSTOMER DRAWING	SHEET 1 OF 1	
			REV B1	