

6

5

4

3

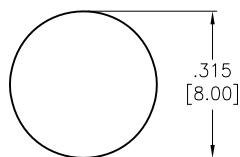
2

1

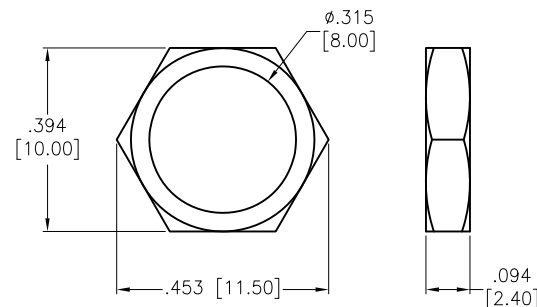
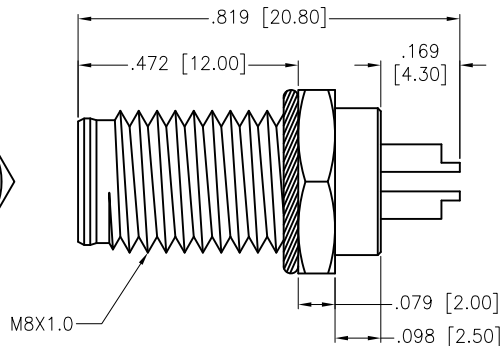
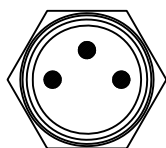
APPROVED: _____

DATE: _____ TITLE: _____

Rev	AWO #	Description	Date	Appr
-		RELEASED	6/1/16	

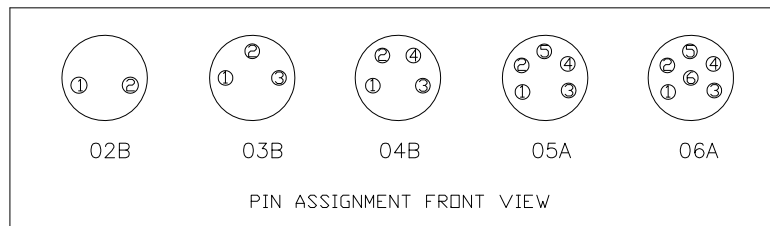


RECOMMENDED PANEL CUT



HOUSING	PBT	BLACK
HEX NUT	BRASS, NICKEL PLATED	
O-RING	SILICON	BLACK
PIN CONTACT	BRASS, GOLD FLASH	
PLASTIC INSERT	M8 NP CONNECTOR	BLACK
SOCKET	BRASS, NICKEL PLATED	
PART NAME	DESCRIPTION	COLOR

SD-MMEXXX-MMTPH-SX0-000
 7=IP67



SPECIFICATIONS:

Electrical:

Current rating: XXA=1A, XXB=5A

Dielectric withstanding voltage: 125 VAC for 1 minute (2~4PIN)

60 VAC for 1 minute (5~6PIN)

Mechanical:

Ingress Protection Rating: IP67

Temperature Rating:

Operating temperature: -40°C to +85°C

Environmental:

Lead free, RoHS compliant.



UNLESS OTHERWISE SPECIFIED ALL DIMENSIONS ARE INCHES [MM] TOLERANCES: EXCEPT AS NOTED			ADAM TECH 909 Rahway Avenue, Union, NJ 07083 Phone: 908-687-5000 Fax: 908-687-5710		
INCHES HOLES					
.X ± .10	∅.X ± .10		TITLE: WATERPROOF CONNECTOR, MALE, M8 SCREW MOUNT, SOLDER TYPE		
.XX ± .020	∅.XX ± .015				
.XXX ± .015	∅.XXX ± .010		SIZE	PART NO.	REV.
APPROVALS			X	SD-MMEXXX-MMTPH-SX0-000	-
DRAWN	HR	DATE	REF:	S00200T	SHEET 1 OF 1
CHECKED	CK	6/1/16	SCALE:	N7S	
APPROVED					

6

5

4

3

2

1